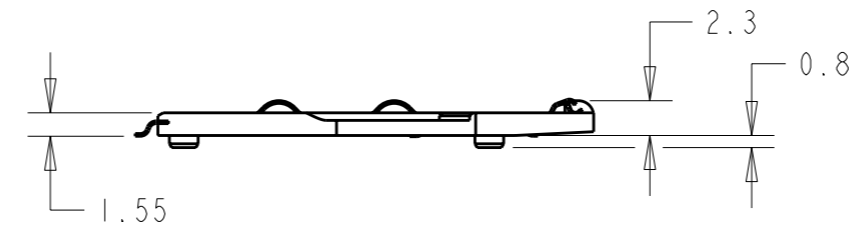
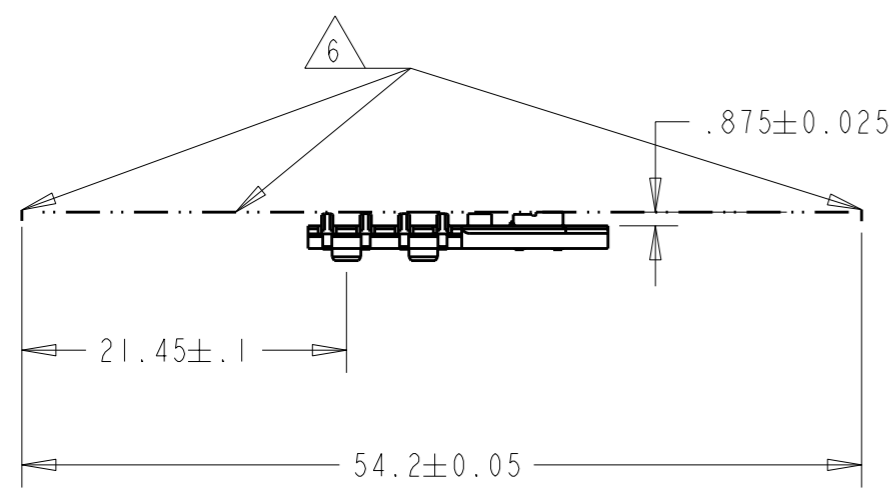
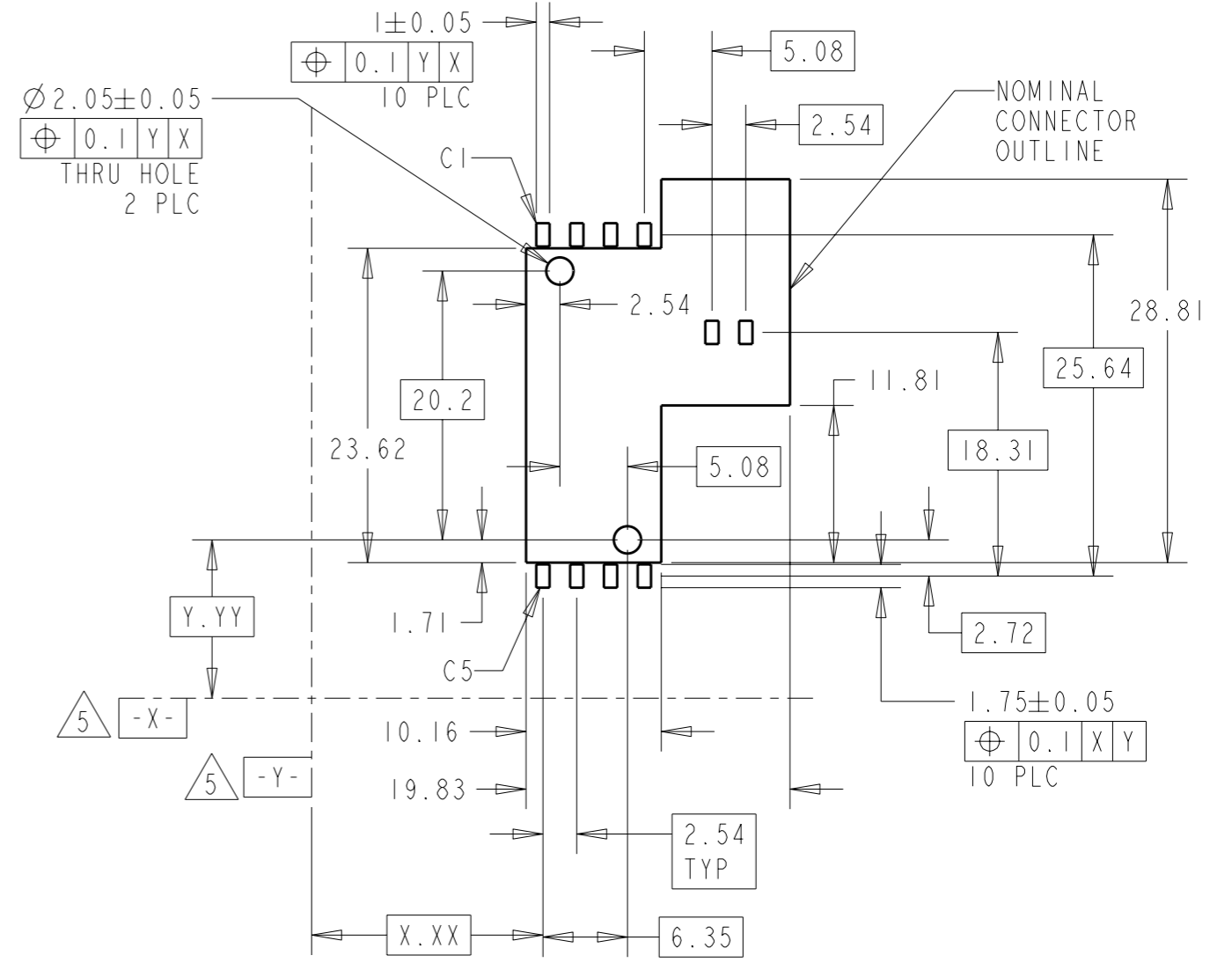
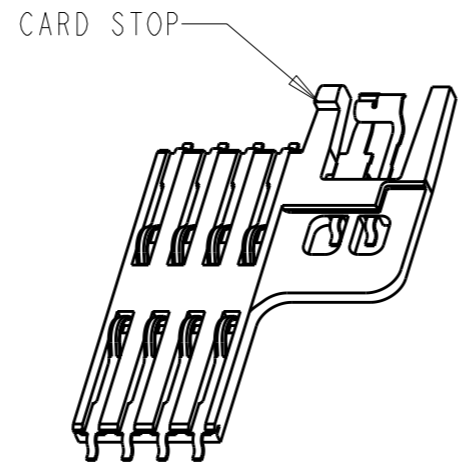
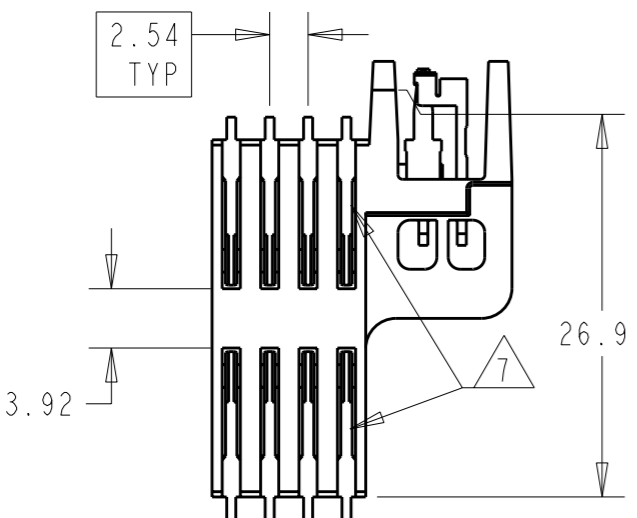


THIS DRAWING IS UNPUBLISHED. RELEASED FOR PUBLICATION 20  
 © COPYRIGHT 2005 BY - ALL RIGHTS RESERVED.


LOC	DIST	REVISIONS			
P	LTR	DESCRIPTION	DATE	DWN	APVD
GP	00				
	01	REVISED PER ECO-11-004756	08MAR2011	CJV	DLG
	A	REVISED PER ECO-11-023641	31JAN2012	CJV	DLG

- 1 MATERIAL: HOUSING: THERMOPLASTIC, COLOR: BLACK;  
CONTACTS: COPPOR ALLOY.
- 2 FINISH: CONTACTS: 0.76µm[30µIN] MIN GOLD PLATING ON CONTACT AREA,  
3.81µm[150µIN] MIN MATTE TIN PLATING ON SOLDER TAILS,  
1.27µm[50µIN] MIN NICKEL UNDERPLATE ALL OVER.
- 3. MATING INTERFACE ACCEPTS IC CARD IN ACCORDANCE WITH ISO 7810-7816.
- 4. CARD GUIDE PROVIDED BY EQUIPMENT, NOT THE CONNECTOR.
- 5 DATUMS AND DIMENSIONS ESTABLISHED BY CUSTOMER
- 6 CUSTOMER CARD GUIDE SURFACES
- 7 TWO CONTACTS OMITTED FOR -2 (6 POSITION VERSION).
- 8. BrCl, F, I < 900ppm PER HOMOGENOUS MATERIAL BFR/CFR/PV/C FREE.



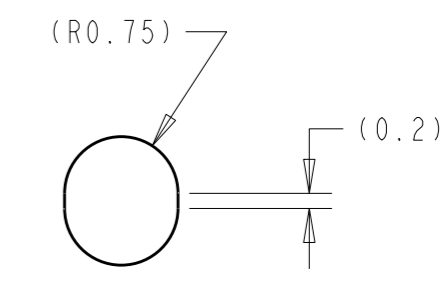
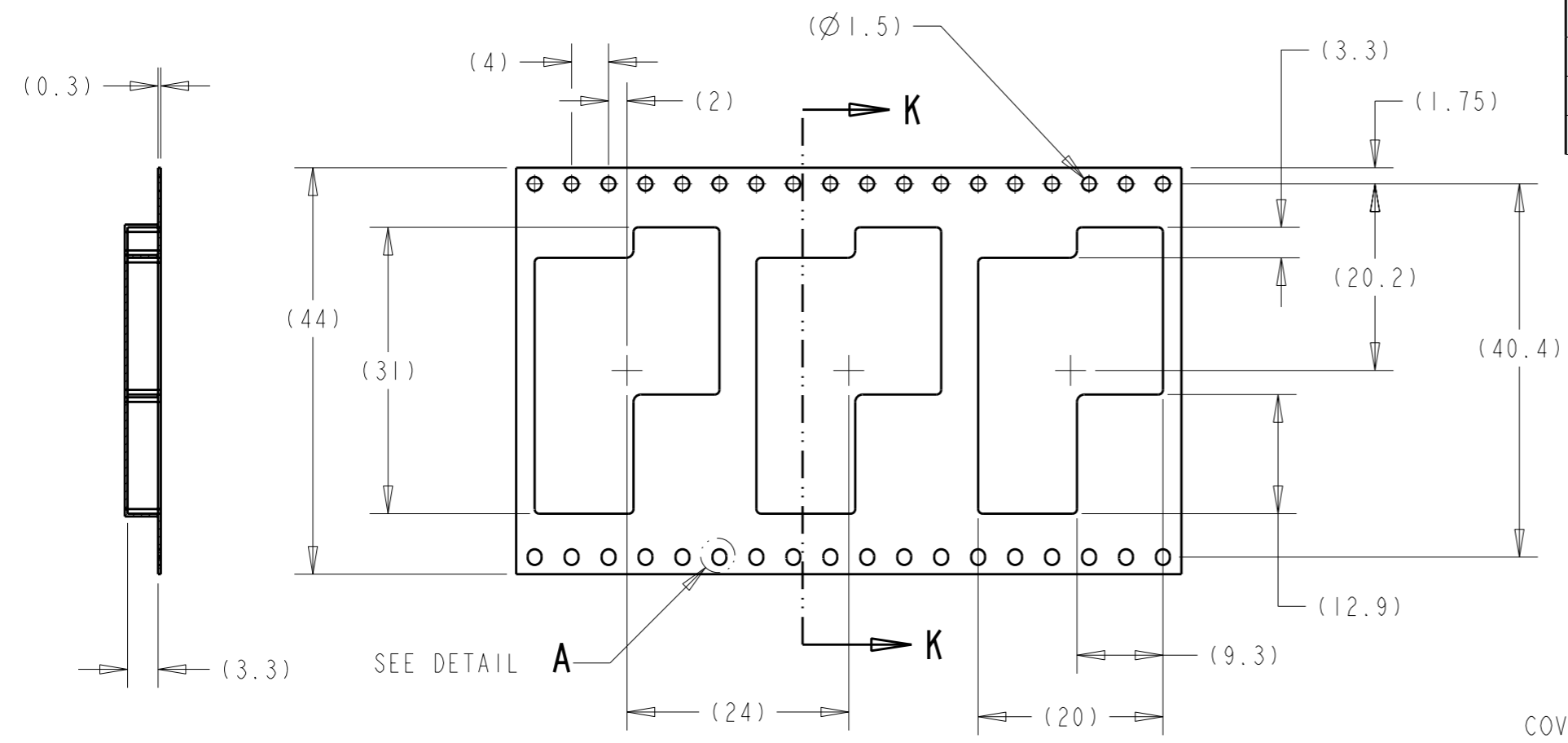
RECOMMENDED PC BOARD LAYOUT

6	7	5145323-2
8		5145323-1
POSITIONS		PART NUMBER

THIS DRAWING IS A CONTROLLED DOCUMENT. DIMENSIONING AND TOLERANCING PER ASME Y14.5M-2009		DWN G. PETERS 27NOV05	 TE Connectivity
DIMENSIONS: mm		CHK D. GORENC 27NOV05	
TOLERANCES UNLESS OTHERWISE SPECIFIED:		APVD M. WALMSLEY 27NOV05	
0 PLC ±- 1 PLC ±0.25 2 PLC ±0.13 3 PLC ±- 4 PLC ±- ANGLES ±-		PRODUCT SPEC 108-1742 APPLICATION SPEC - WEIGHT -	
MATERIAL 1	FINISH 2	CUSTOMER DRAWING	NAME 6 AND 8 POSITION SMT CONTACT MODULE W/ SWITCH SIZE A3 CAGE CODE 00779 DRAWING NO 5145323 RESTRICTED TO - SCALE 2:1 SHEET 1 OF 2 REV A

THIS DRAWING IS UNPUBLISHED. RELEASED FOR PUBLICATION 20  
 © COPYRIGHT 2005 BY - ALL RIGHTS RESERVED.

LOC	DIST	REVISIONS				
P	LTR	DESCRIPTION	DATE	DWN	APVD	
GP	00	SEE SHEET 1	-	-	-	

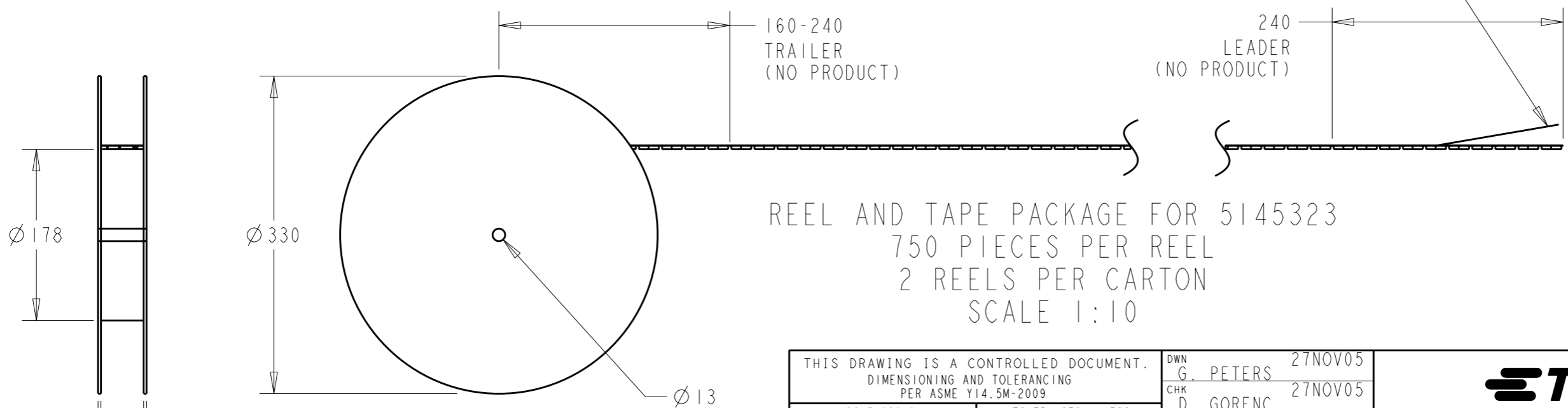


DETAIL A  
SCALE 10:1

SECTION K-K

PACKAGING TAPE  
SCALE 3:2

COVER TAPE OVER  
OUTSIDE WRAP OF  
LEADER. 1 FULL  
WRAP MINIMUM



REEL AND TAPE PACKAGE FOR 5145323  
750 PIECES PER REEL  
2 REELS PER CARTON  
SCALE 1:10

THIS DRAWING IS A CONTROLLED DOCUMENT. DIMENSIONING AND TOLERANCING PER ASME Y14.5M-2009		DWN G. PETERS 27NOV05	TE Connectivity	
DIMENSIONS: mm		CHK D. GORENC 27NOV05		
TOLERANCES UNLESS OTHERWISE SPECIFIED:		APVD M. WALMSLEY 27NOV05	NAME 6 AND 8 POSITION SMT CONTACT MODULE W/ SWITCH	
0 PLC ±-		PRODUCT SPEC 108-1742	SIZE A3	
1 PLC ±0.25		APPLICATION SPEC -	CAGE CODE 00779	DRAWING NO 5145323
2 PLC ±0.13		WEIGHT -	RESTRICTED TO -	
3 PLC ±-		CUSTOMER DRAWING		
4 PLC ±-		SCALE 2:1		
ANGLES ±-		SHEET 2 OF 2		
FINISH -		REV A		